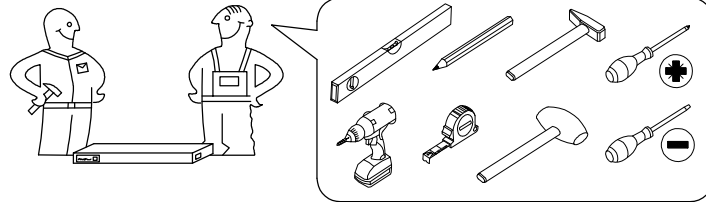


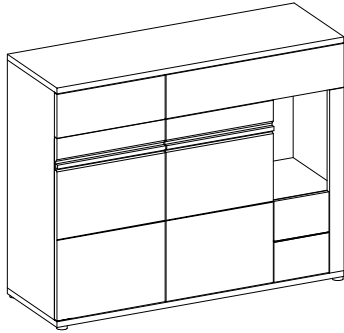
OSLO

- 12



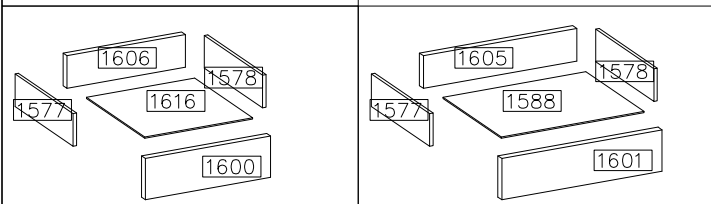
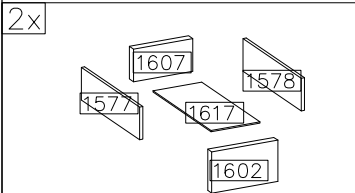
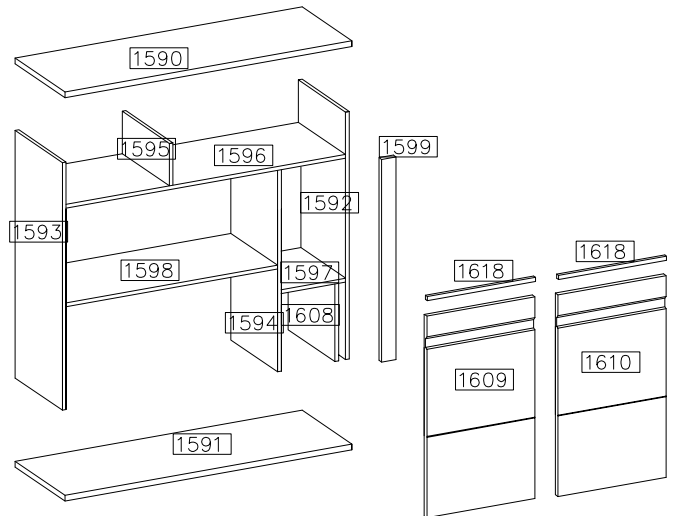
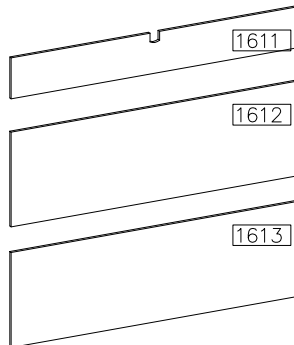
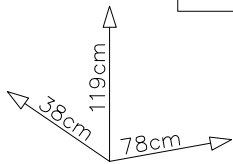
FADOME Sp. z o.o. Sp. K.
ul. Strzelecka 17
46-060 Złotniki
e-mail: info@fadome.eu

#	ART. NR	L	W	T	Q	Col.No
1	1592	830	420	16	1	1
2	1593	830	420	16	1	1
3	1594	670	400	16	1	1
4	1595	144	400	16	1	1
5	1599	668	60	16	1	1
6	1577	350	120	16	4	1
7	1578	350	120	16	4	1
8	1608	306	400	16	1	1
9	1600	496	156	16	1	2
10	1601	798	156	16	1	2
11	1602	234	156	16	2	2
12	1605	736	103	16	1	2
13	1606	436	103	16	1	2
14	1607	198	103	16	2	2
15	1609	662	496	16	1	2
16	1610	662	496	16	1	2
17	1618	494	16	16	2	2
18	1590	1300	440	22	1	3
19	1591	1300	440	22	1	3
20	1596	1268	400	16	1	3
21	1597	284	400	16	1	3
22	1598	966	400	16	1	3
23	1611	1283	160	2,5	1	3
24	1612	1283	362	2,5	1	3
25	1613	1283	322	2,5	1	3
26	1588	751	358	2,5	1	3
27	1616	451	358	2,5	1	3
28	1617	213	358	2,5	2	3

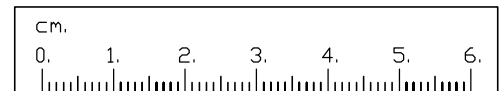


67kg


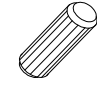

PUSH TO OPEN

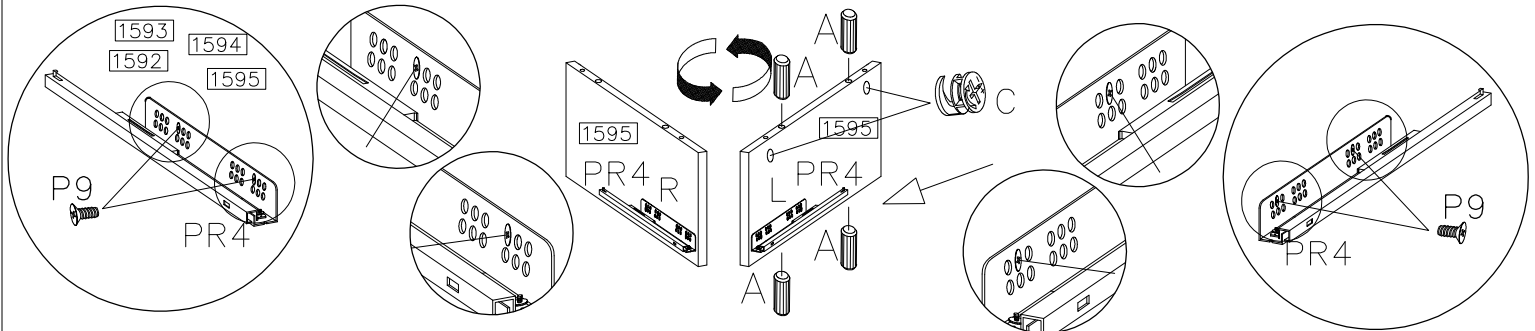
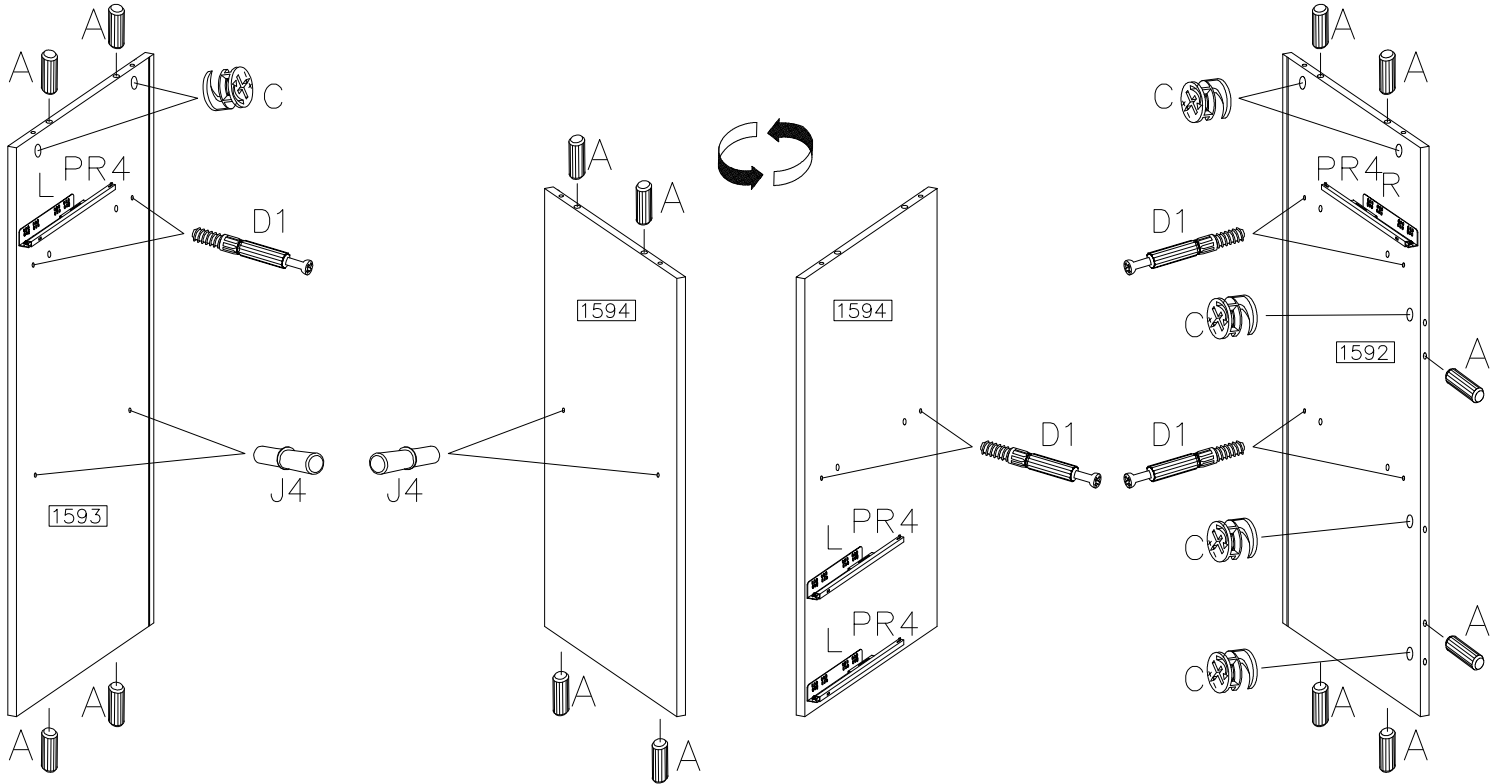
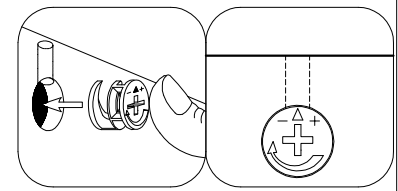


A	B	B1	C	D1	E	E1	P1	P7	Z1
46	4	6	25	25	25	10	36	8	1
4mm	ø5.0x13mm		ø35/KR-0		ø3.5x16mm				
O	P9	J4	G6	N	P4	L	N4		
1	24	4	4	1	5	12	1		
P12	F4	L-350 L R PUSH TO OPEN PR4		U	F8	P8			
5	5	4SET		16	12	6			




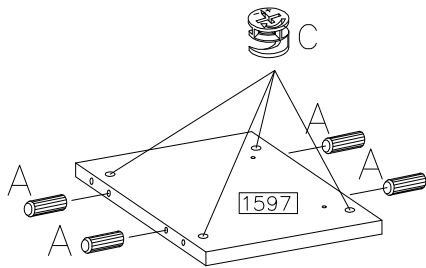
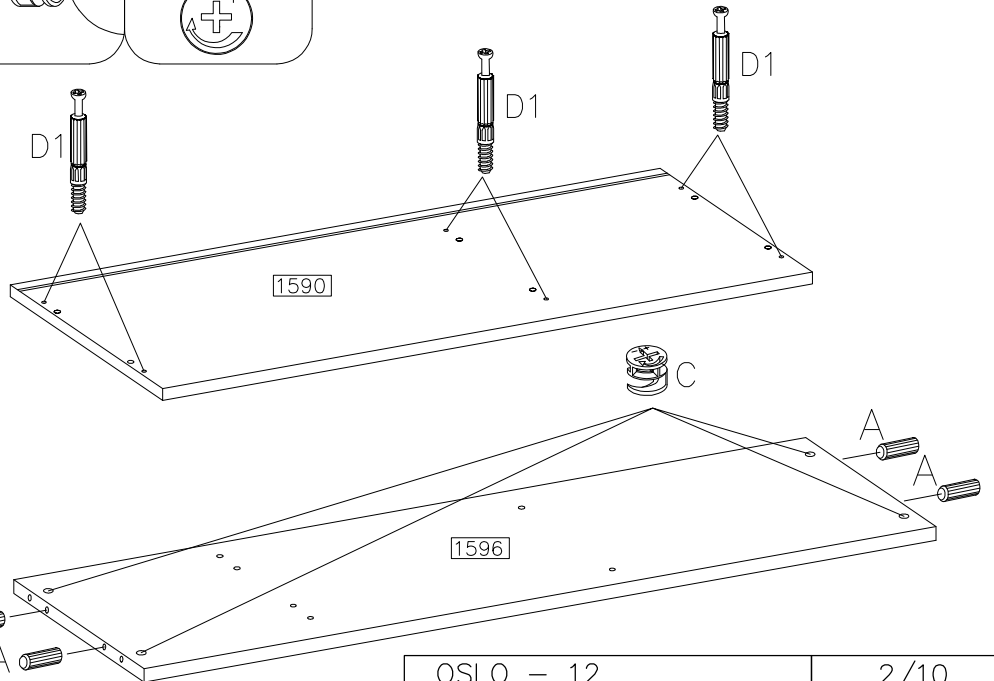
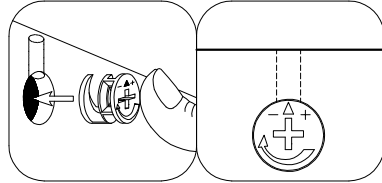
1

	$\varnothing 8 \times 30 \text{ mm}$ 		L-350 L R PUSH TO OPEN PR4	$\varnothing 5.0 \times 13 \text{ mm}$ P9	$\varnothing 15 / 12 \text{ mm}$ C
8	18	16	3SET	12	9


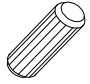




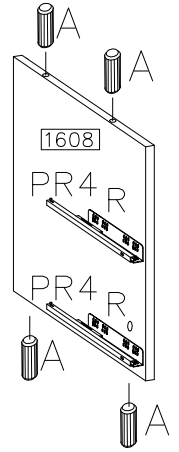
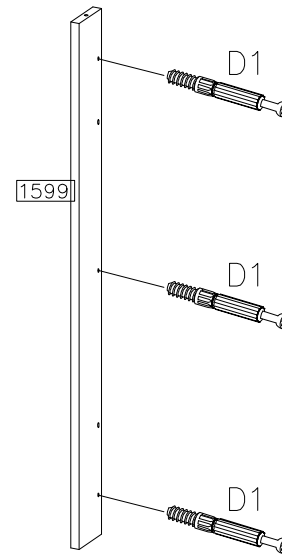
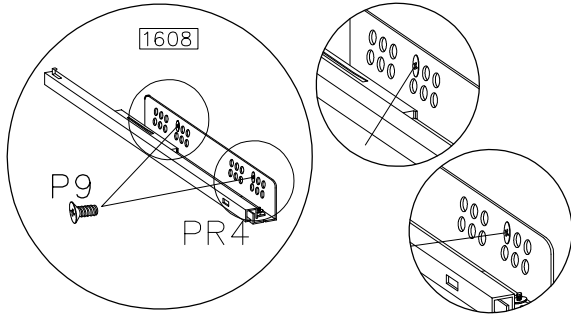
2

$\varnothing 8 \times 30 \text{ mm}$ A	$\varnothing 15 / 12 \text{ mm}$ C
8	8
	
6	







3

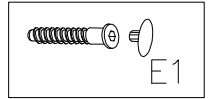
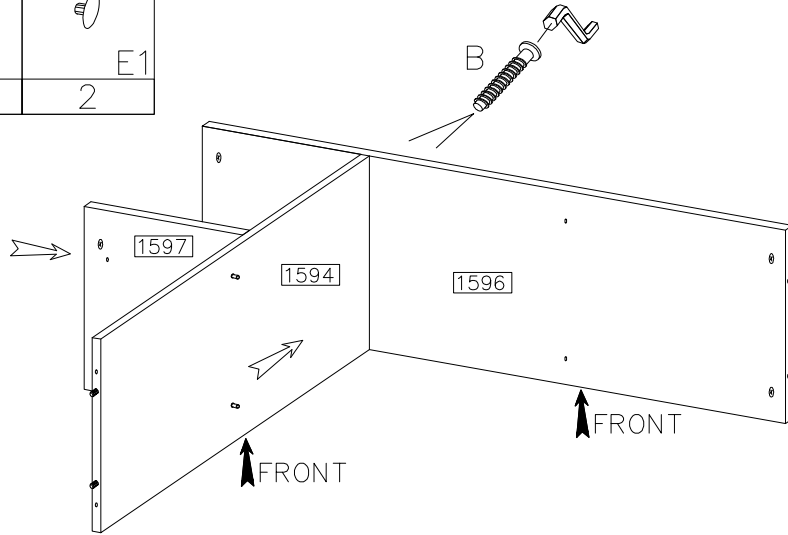
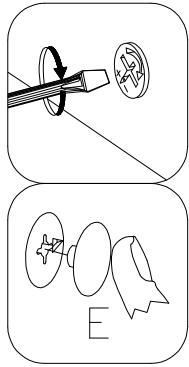
	$\varnothing 8 \times 30 \text{ mm}$ 	L-350 PUSH TO OPEN PR4 R 	$\varnothing 5.0 \times 13 \text{ mm}$ 
D1 3	A 4	1SET	P9 4




4

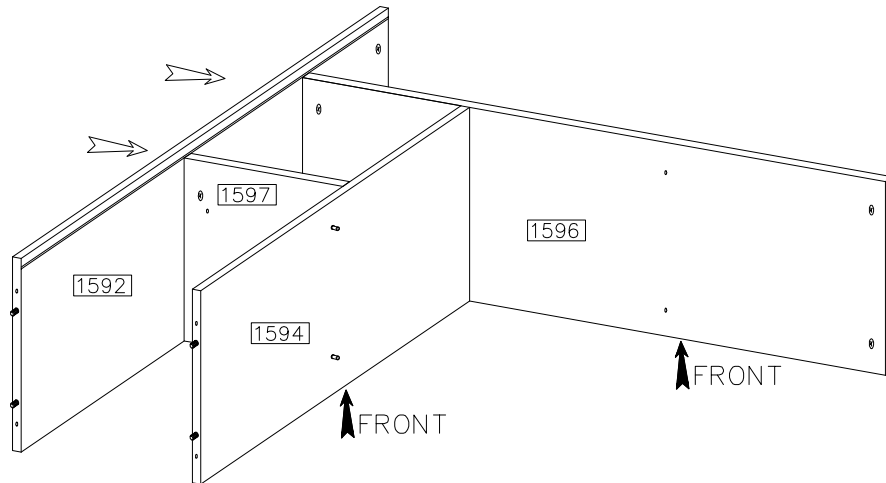
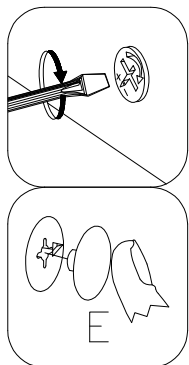
	$\varnothing 6,4 \times 50 \text{ mm}$ 	$\varnothing 9.0 \text{ mm}$ 
E 2	B 2	E1 2

4mm 
O







5

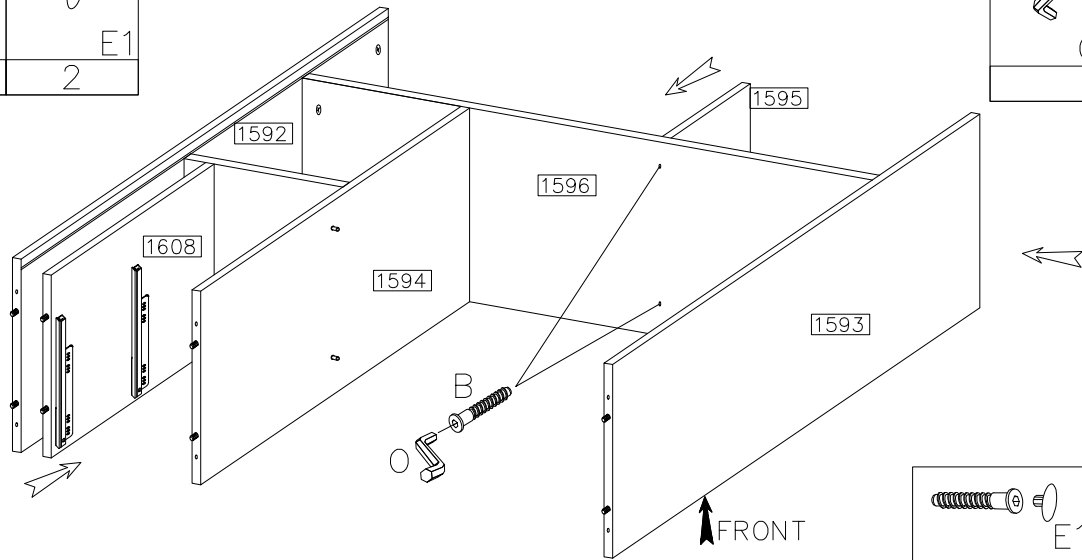
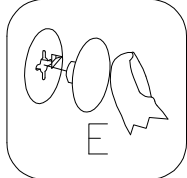
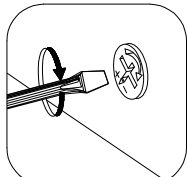

E 4




6


	 $\varnothing 6,4 \times 50 \text{mm}$	 $\varnothing 9.0 \text{mm}$
E	B	E1
2	2	2

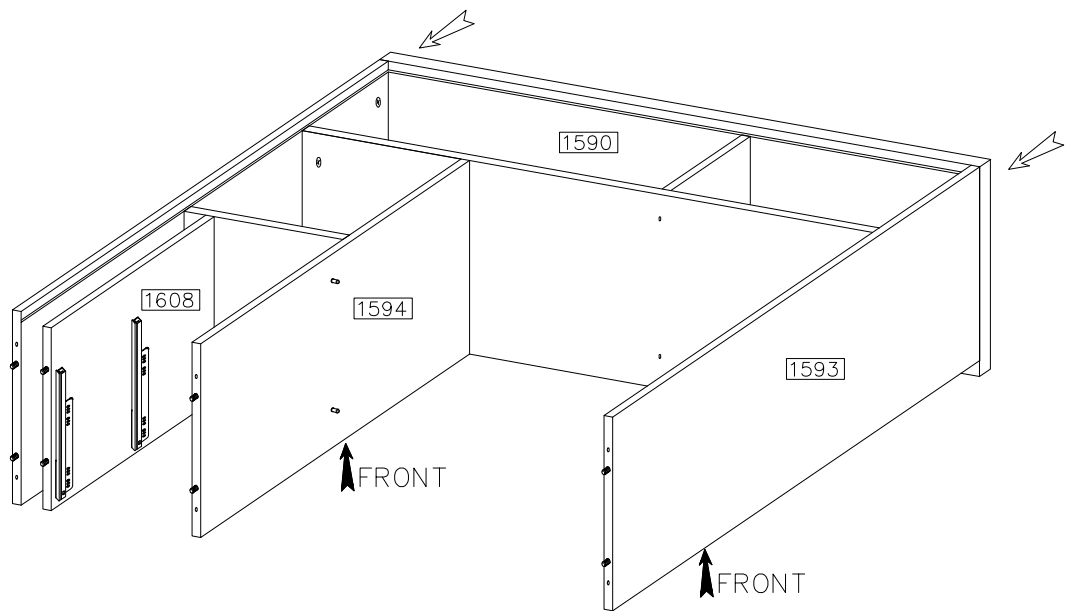
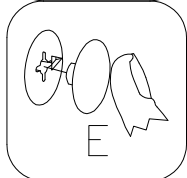
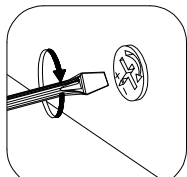
 4mm
O



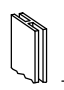
 $\varnothing 9.0 \text{mm}$
E1

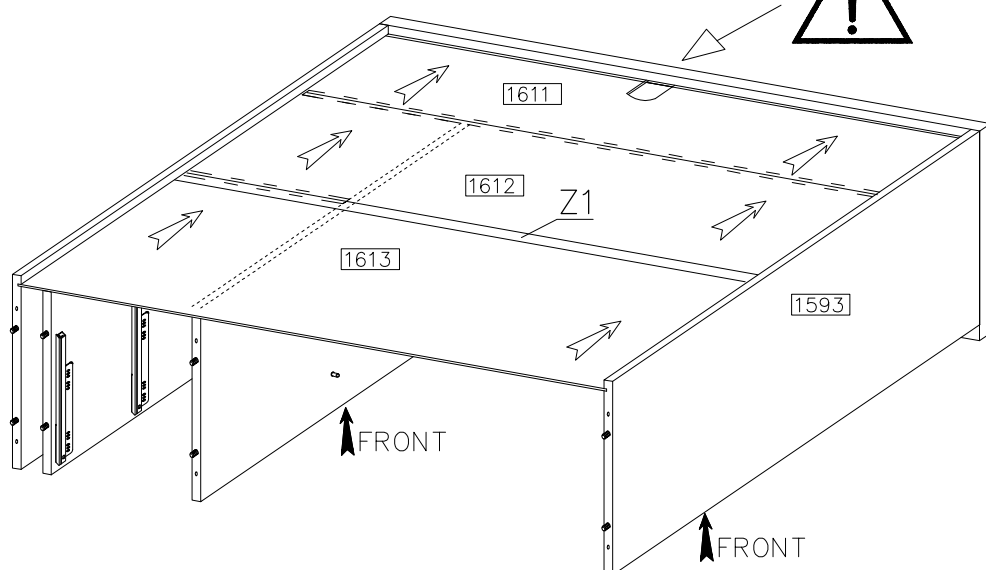
7


E
4






8

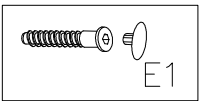
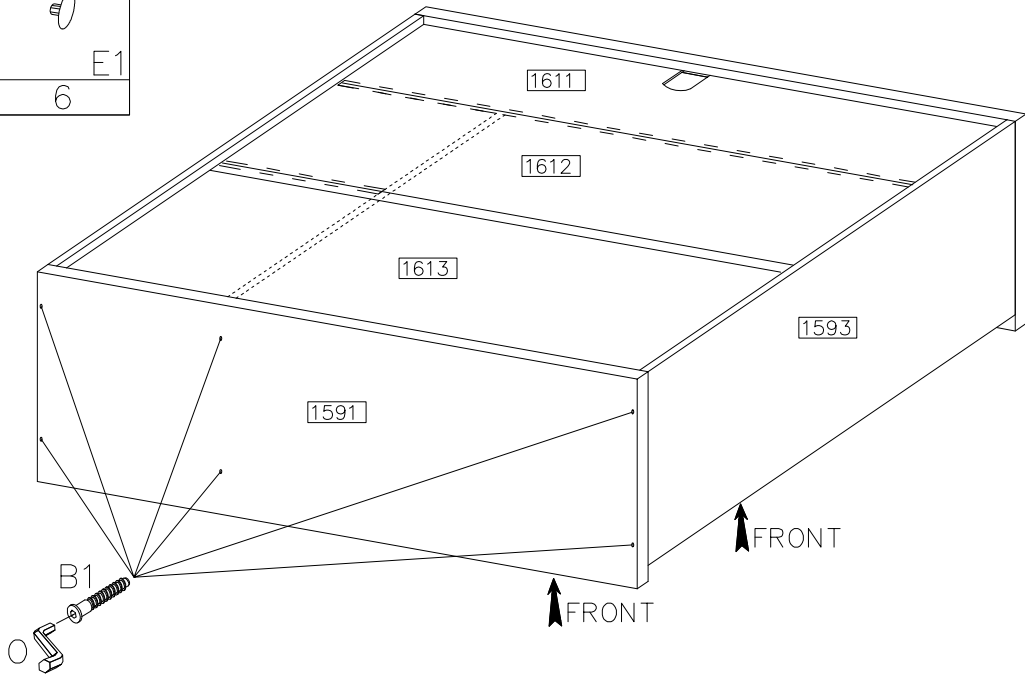

Z1
1




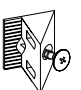
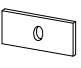
9

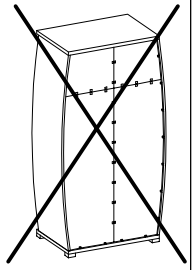
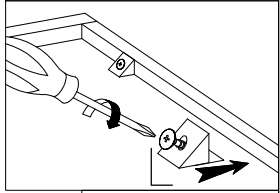
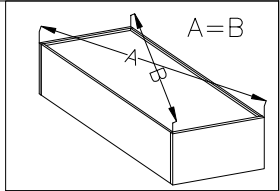
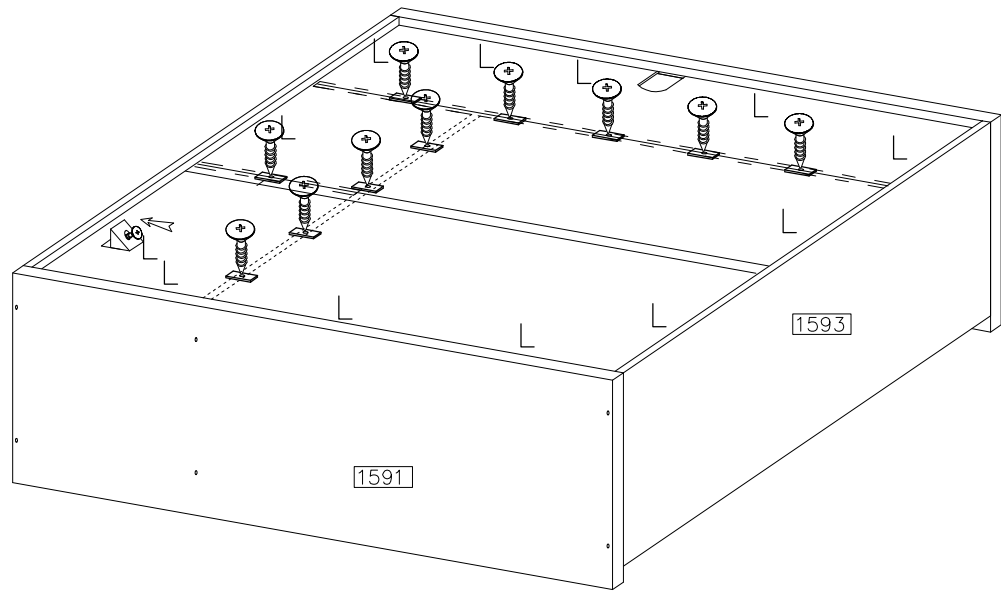
 B1 6	 E1 6
---	---

 O 4mm
--


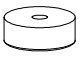


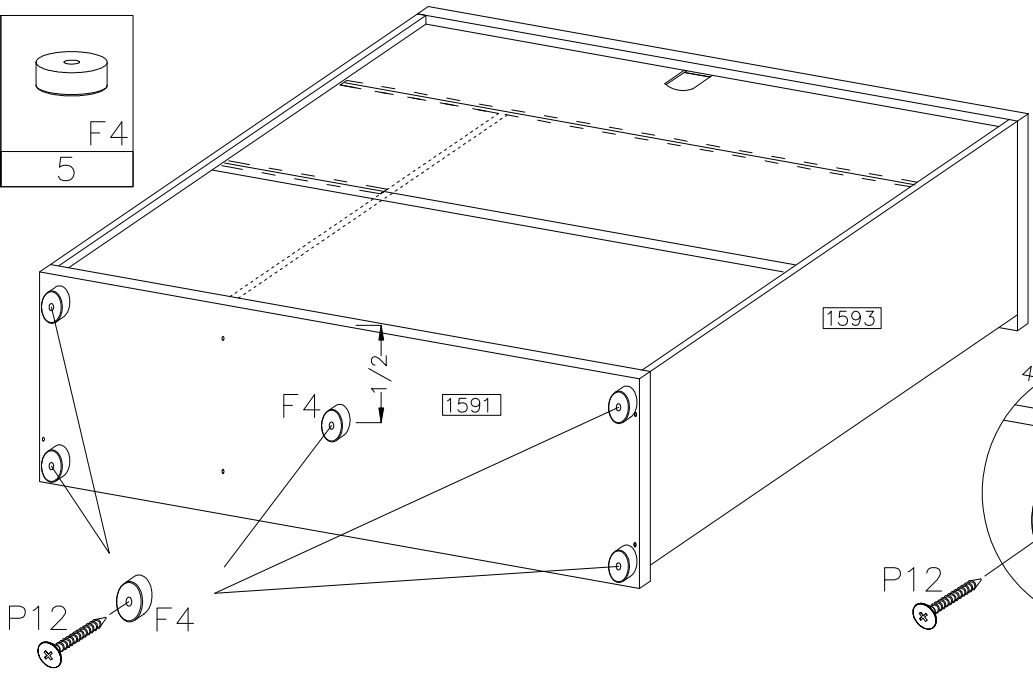
10

 P1 20
 L 12
 F8 12

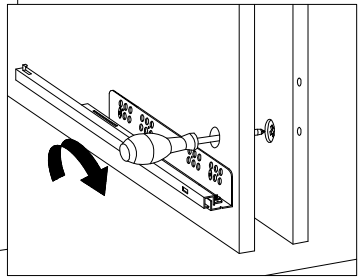
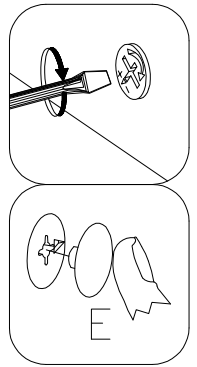
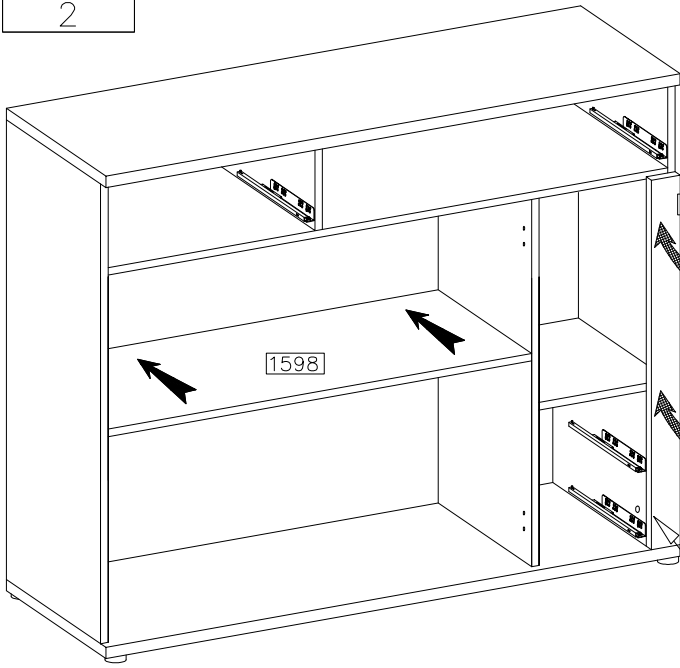
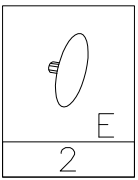


11

 P12 5	 F4 5
---	--

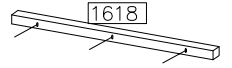
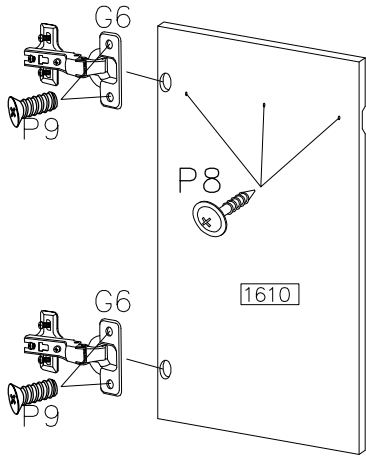
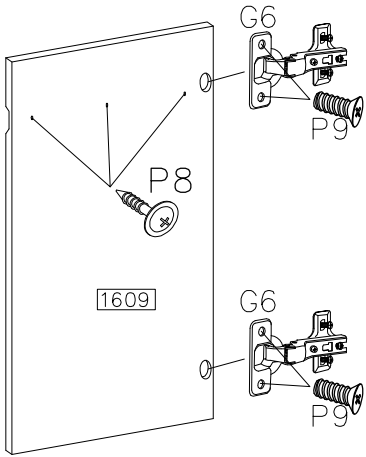
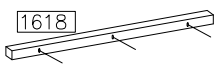


12

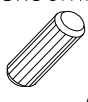




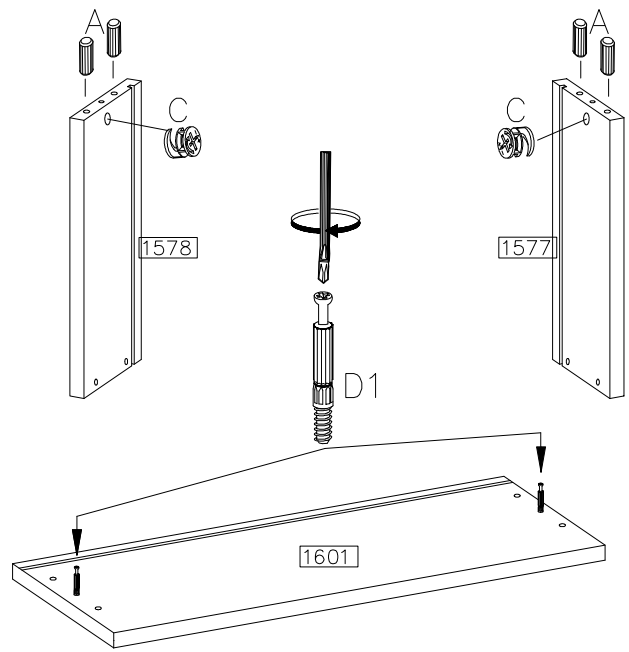
13

$\varnothing 35/KR-0$ G6 4	
$\varnothing 5.0 \times 13mm$ P9 8	$\varnothing 4.0 \times 16mm$ P8 6




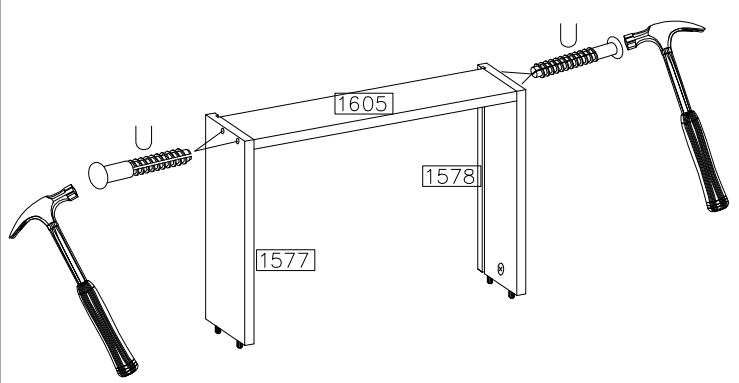
14

$\varnothing 8 \times 30 \text{mm}$	$\varnothing 15 / 12 \text{mm}$	
		
A	C	D1
4	2	2




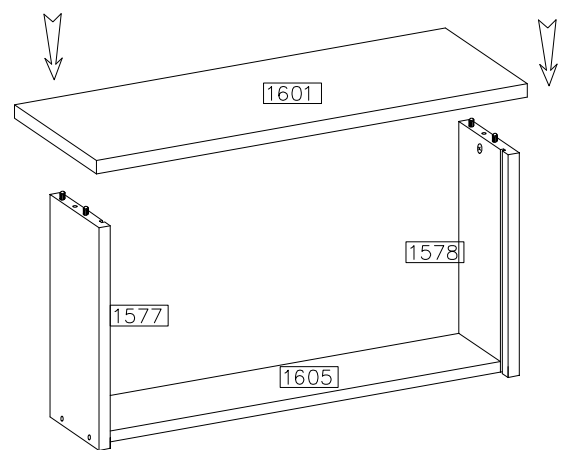
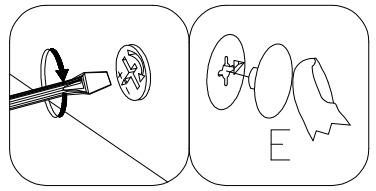
15


U
4






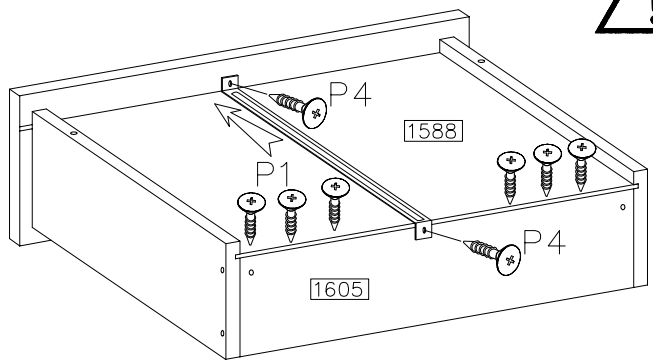
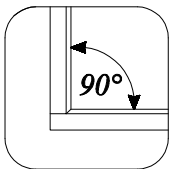
16


E
2

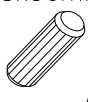




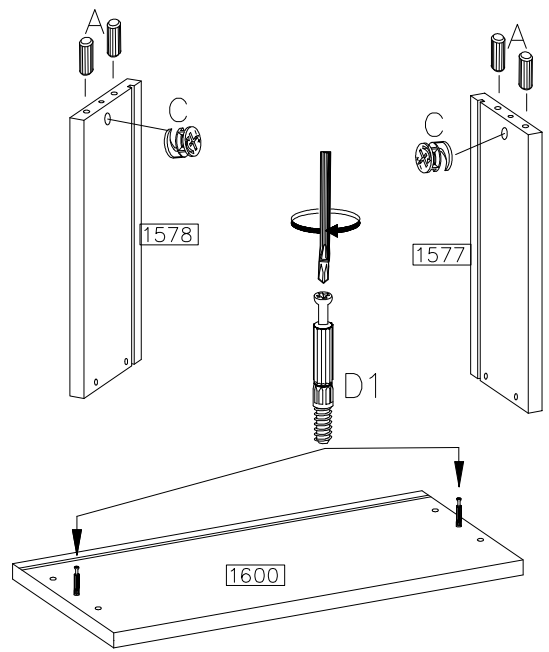
17

$\varnothing 3.0 \times 16 \text{mm}$		$\varnothing 3.5 \times 16 \text{mm}$
		
P1	N4	P4
7	1	2




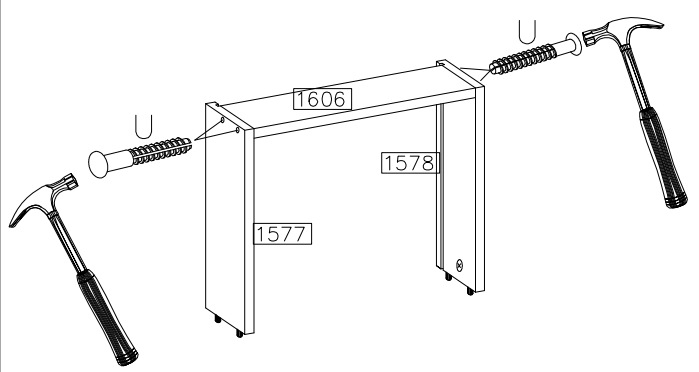
18

$\varnothing 8 \times 30 \text{mm}$	$\varnothing 15 / 12 \text{mm}$	
		
A	C	D1
4	2	2




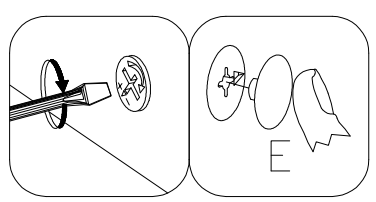
19


U
4




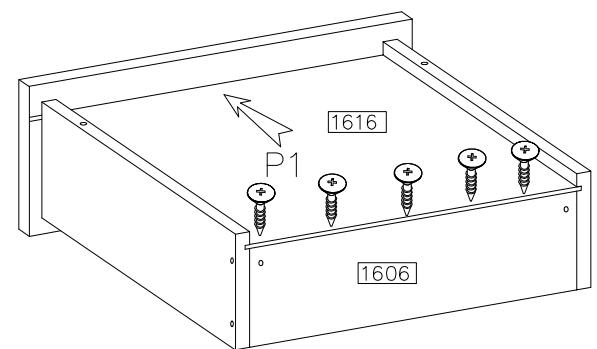
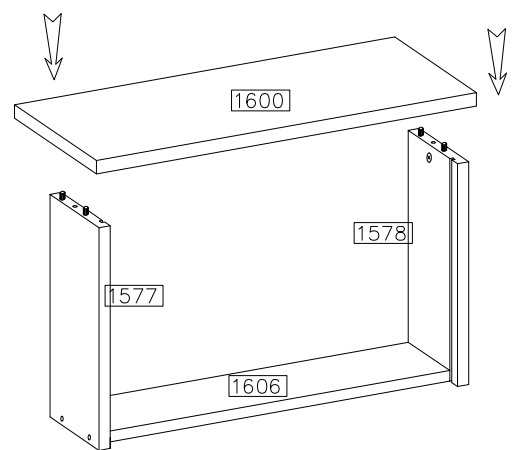
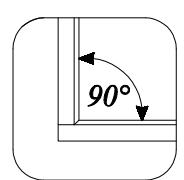
20


E
2

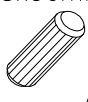




21

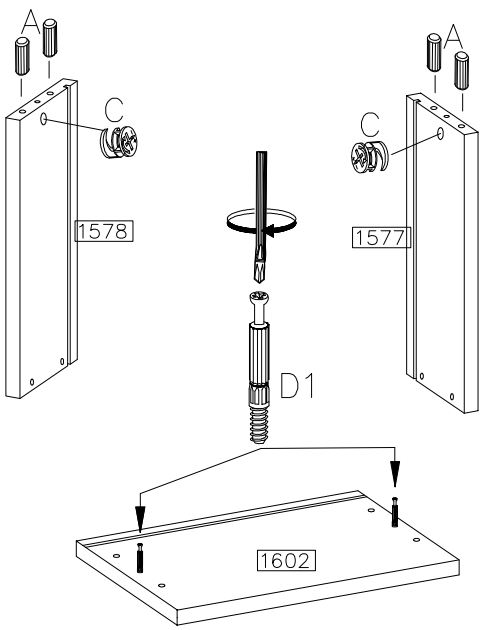
$\varnothing 3.0 \times 16 \text{mm}$

P1
5




22

$\varnothing 8 \times 30 \text{mm}$	$\varnothing 15 / 12 \text{mm}$	
		
A	C	D1
8	4	4

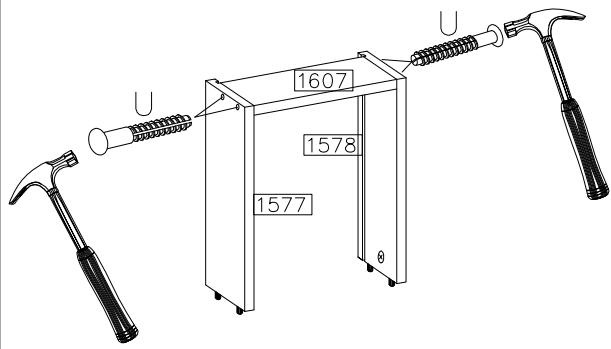
2x




23

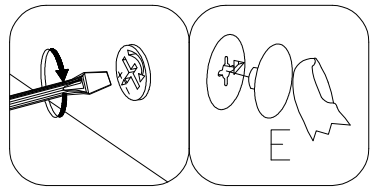

U
8

2x

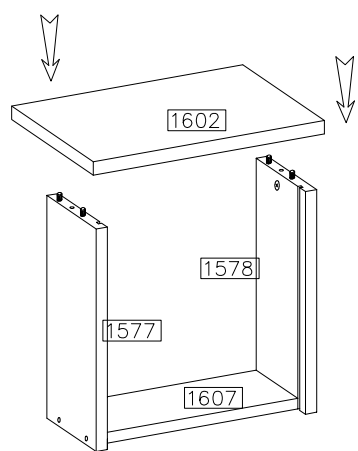


24



E
4



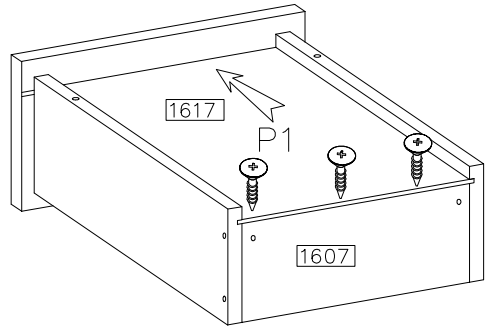
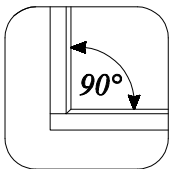
2x



25

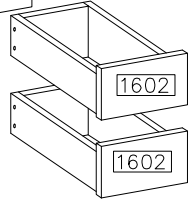
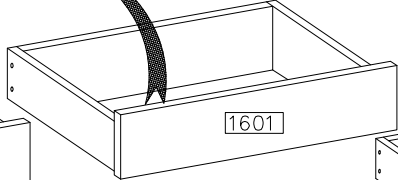
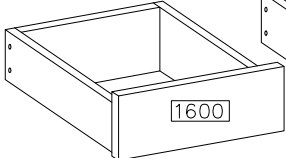
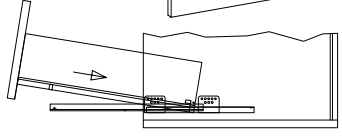
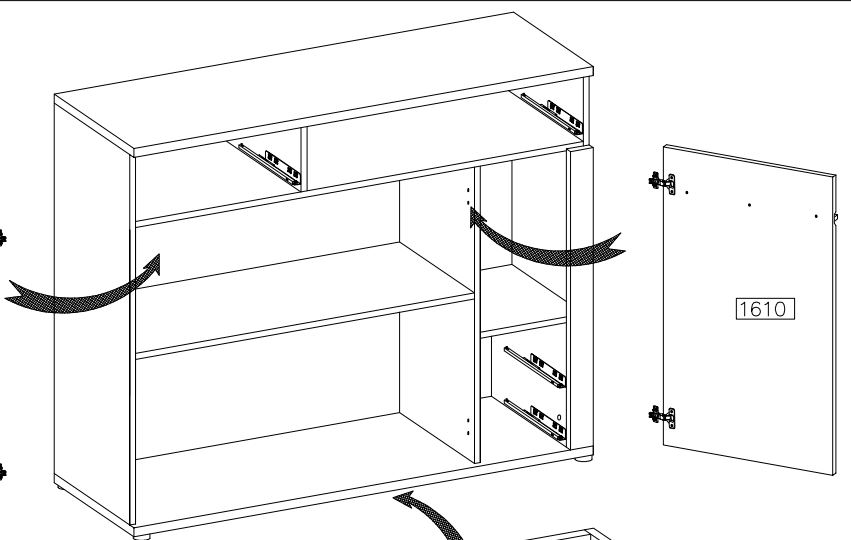
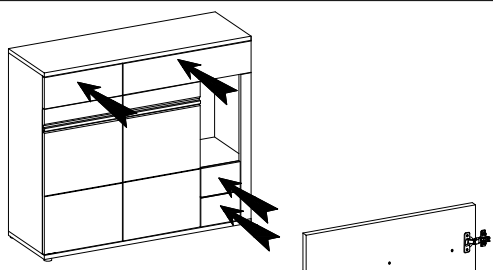
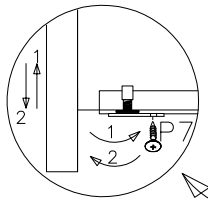
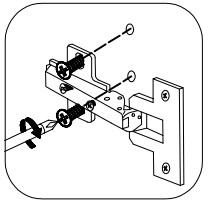
$\varnothing 3.0 \times 16 \text{mm}$

P1
6

2x

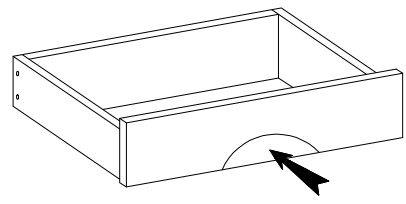
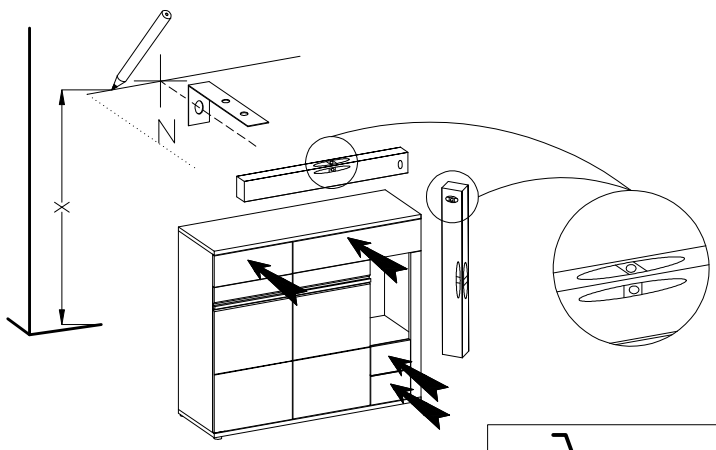
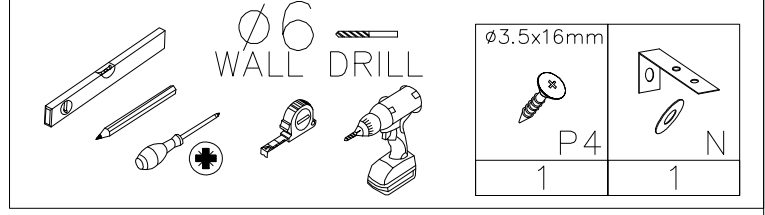
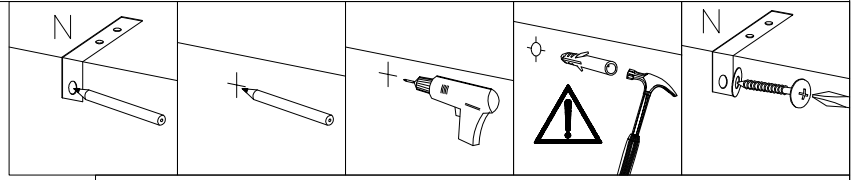
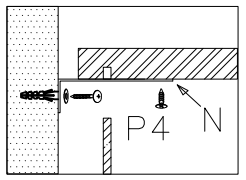


26

ø3.0x20mm
P7
8



27



PUSH HERE TO OPEN

PUSH TO OPEN

